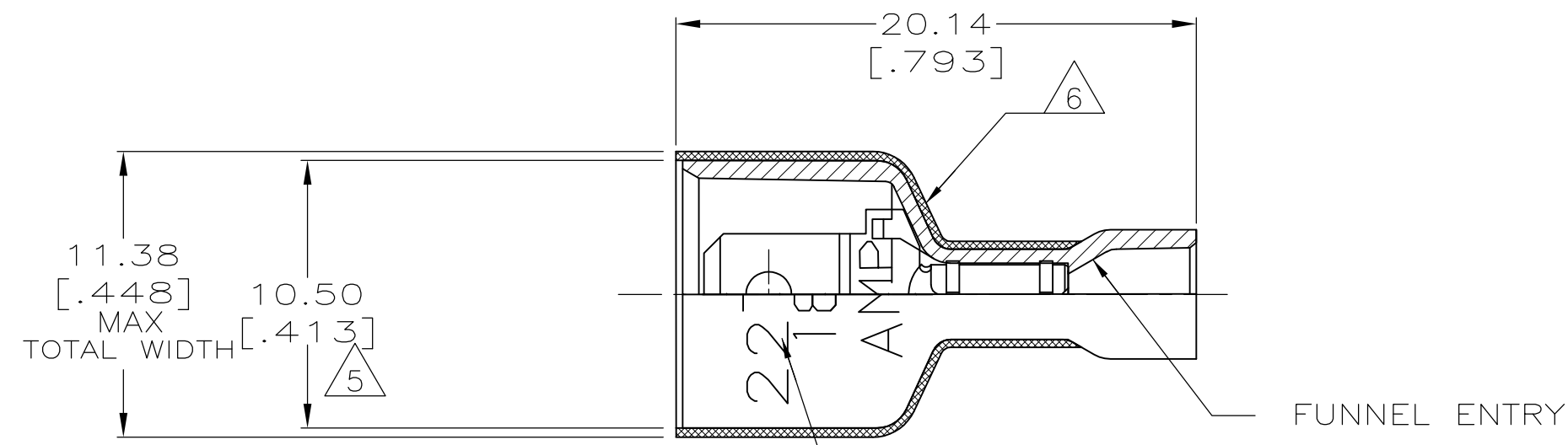
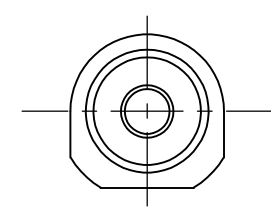
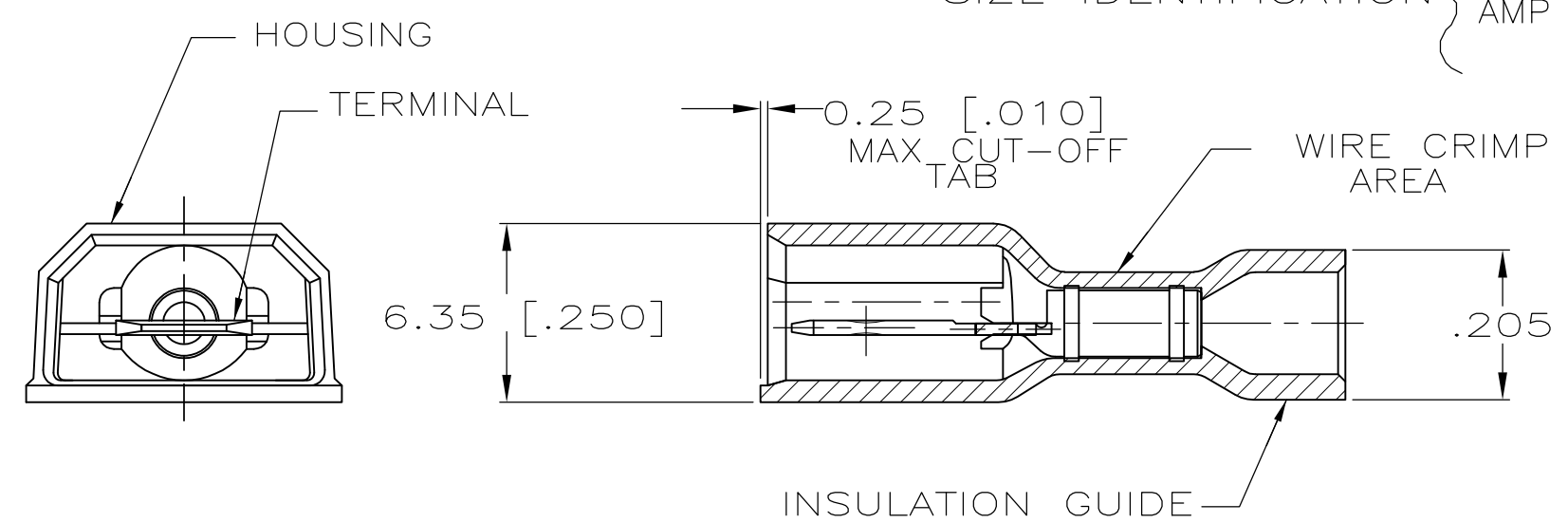


THIS DRAWING IS UNPUBLISHED. RELEASED FOR PUBLICATION
 © COPYRIGHT - By - ALL RIGHTS RESERVED.

LOC	DIST	REVISIONS			
P	LTR	DESCRIPTION	DATE	DWN	APVD
AF	50	C	REVISED PER ECR-13-004343	30JUL13	KH KR



- 1 TAB DIMENSIONS .020±.001x.187
- 2 WIRE STRIP LENGTH .281
- 3 INSULATION SIZE .135 MAX DIA
- 4 SUPPLIED IN LOOSE PIECE
- △5 DIMENSION DOES NOT INCLUDE TRIM BURR
- △6 0.38[.015] MAX CARRIER TRIM BURR PER SIDE IS ALLOWABLE IN THE SHADED AREA



HOUSING: NYLON, COLOR-RED TRANSLUCENT TAB: BRASS, TIN		2-521103-2	
MATERIAL & FINISH		PART NO	
DWN JR RUTH 9/25/95 CHK MS FEHER 9/25/95 APVD J WORMAN 9/25/95		TE Connectivity NAME TAB ASSEMBLY, ULTRA-FAST, 4.75 [.187] SERIES, 22-18 AWG	
DIMENSIONS: mm [INCHES] TOLERANCES UNLESS OTHERWISE SPECIFIED: 0 PLC ± - 1 PLC ± - 2 PLC ± 0.38 [.015] 3 PLC ± - 4 PLC ± - ANGLES ± - MATERIAL SEE TABLE FINISH SEE TABLE			
THIS DRAWING IS A CONTROLLED DOCUMENT. DIMENSIONS: mm [INCHES] 		PRODUCT SPEC 108-2017 APPLICATION SPEC 114-2123 WEIGHT -	SIZE A3 CAGE CODE 00779 DRAWING NO C-521103 RESTRICTED TO -
CUSTOMER DRAWING		SCALE 4:1	SHEET 1 OF 1 REV C